

HITACHI SCROLL Air-conditioning Compressor



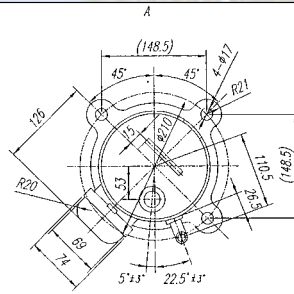
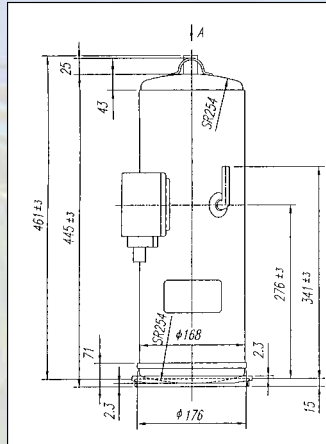
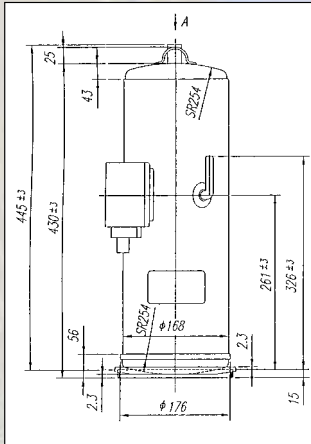
Commercial
Air-Conditioning
Scroll Compressor

- Low sound & low vibration
- High reliability & efficiency
- Wide operating range

Air-conditioning R22

Note: Tighten up the flare nut to the following torque.

Flare Φ 12.70: 500kg.cm
Flare Φ 15.88: 800kg.cm
Flare Φ 19.05: 1000kg.cm



| Model | 403DH | 503DH | 603DH |
|----------------------------------|-----------|-------|-------|
| Phase 1 or Phase 3 | 3 | 3 | 3 |
| Output Capacity (kW) | 3.0 | 3.75 | 4.5 |
| Power Source | 415V/50Hz | | |
| Displacement (m ³ /h) | 11.09 | 13.82 | 15.55 |
| Oil Charge (L) | 1.5 | 1.8 | 1.8 |
| Cooling Capacity (W) | 1.5 | 1.8 | 1.8 |
| Amperage | 6.5 | 8 | 9 |
| EER (kcal/W.h) | 2.75 | 2.8 | 2.8 |
| Sound Level (db(A)) | ≤63 | | |
| Refrigerant | R-22 | | |
| Running Voltage (V) | 311~418 | | |
| Weight (kg) | 35 | 36 | 36 |



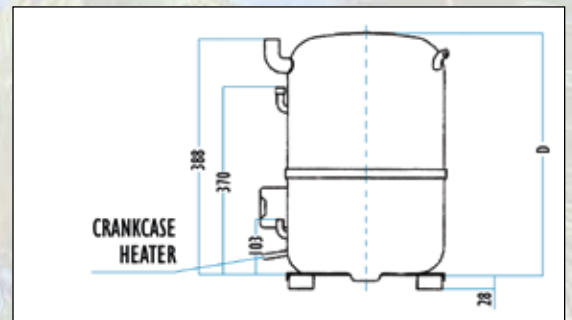
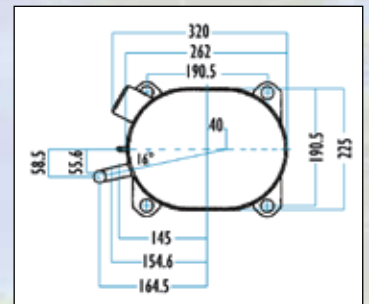
Air-conditioning R22



Refrigeration R404A

GFA COMPRESSOR TECHNOLOGY

| Model | GFA-90A | GFA-112A | GFA-124A | GFA-134A | GFA-90 | GFA-112 | GFA-124 | GFA-134 | |
|--|----------|----------|----------|----------|--------|---------|---------|---------|-------|
| Nominal Power (HP) | 4 | 5 | 6 | 7 | 4 | 5 | 6 | 7 | |
| Displacement (cm ³) | 90.2 | 112.5 | 124.4 | 134.8 | 90.2 | 112.5 | 124.4 | 134.8 | |
| Weight (kg) | 46 | 48 | 48 | 48 | 46 | 48 | 48 | 48 | |
| Refrigerant | R22 | | | | R404A | | | | |
| Oil Charge (ml) | 2000 | 2000 | 2000 | 2000 | 2000 | 2000 | 2000 | 2000 | |
| Power Source | 415/50Hz | | | | | | | | |
| Amperage (A) | 7.3 | 9.6 | 10.6 | 11.7 | 7.3 | 9.6 | 10.6 | 11.7 | |
| Suction Pipe | 3/4 | 3/4 | 3/4 | 3/4 | 3/4 | 3/4 | 3/4 | 3/4 | |
| Discharge Pipe | 1/2 | 1/2 | 1/2 | 1/2 | 5/8 | 5/8 | 5/8 | 5/8 | |
| Refrigeration Capacity rated @ 55°C Condensing Temperature | -15°C | 3100 | 4470 | 5160 | 5630 | 2890 | 4385 | 5090 | 5240 |
| | -10°C | 4670 | 6130 | 6970 | 7500 | 4190 | 6020 | 6890 | 6980 |
| | -5°C | 6300 | 8290 | 9450 | 10031 | 6120 | 8070 | 9230 | 9997 |
| | 0°C | 7840 | 10600 | 11860 | 12630 | 7650 | 9980 | 11350 | 11890 |
| | 5°C | 9887 | 13010 | 15400 | 15742 | 9577 | 12750 | 14200 | 15030 |
| | 10°C | 12620 | 16610 | 19100 | 20098 | 12340 | 16400 | 18050 | 19920 |
| | 15°C | 15837 | 20660 | 23360 | 25200 | 14500 | 18540 | 21170 | 23670 |



Note: 1. The specs are subject to change, with technology improvement.
2. Test condition of Nominal Capacity: Evaporating Temp.: -25°~15°C, Condensing Temp.: ≤65°C,
3. Rating conditions: Evaporating Temp.: 7.2°C, Condensing Temp.: 54.4°C, Return Gas Temp.: 18.3°C,
Liquid Temp.: 46.1°C, Ambient Temp.: 35°C